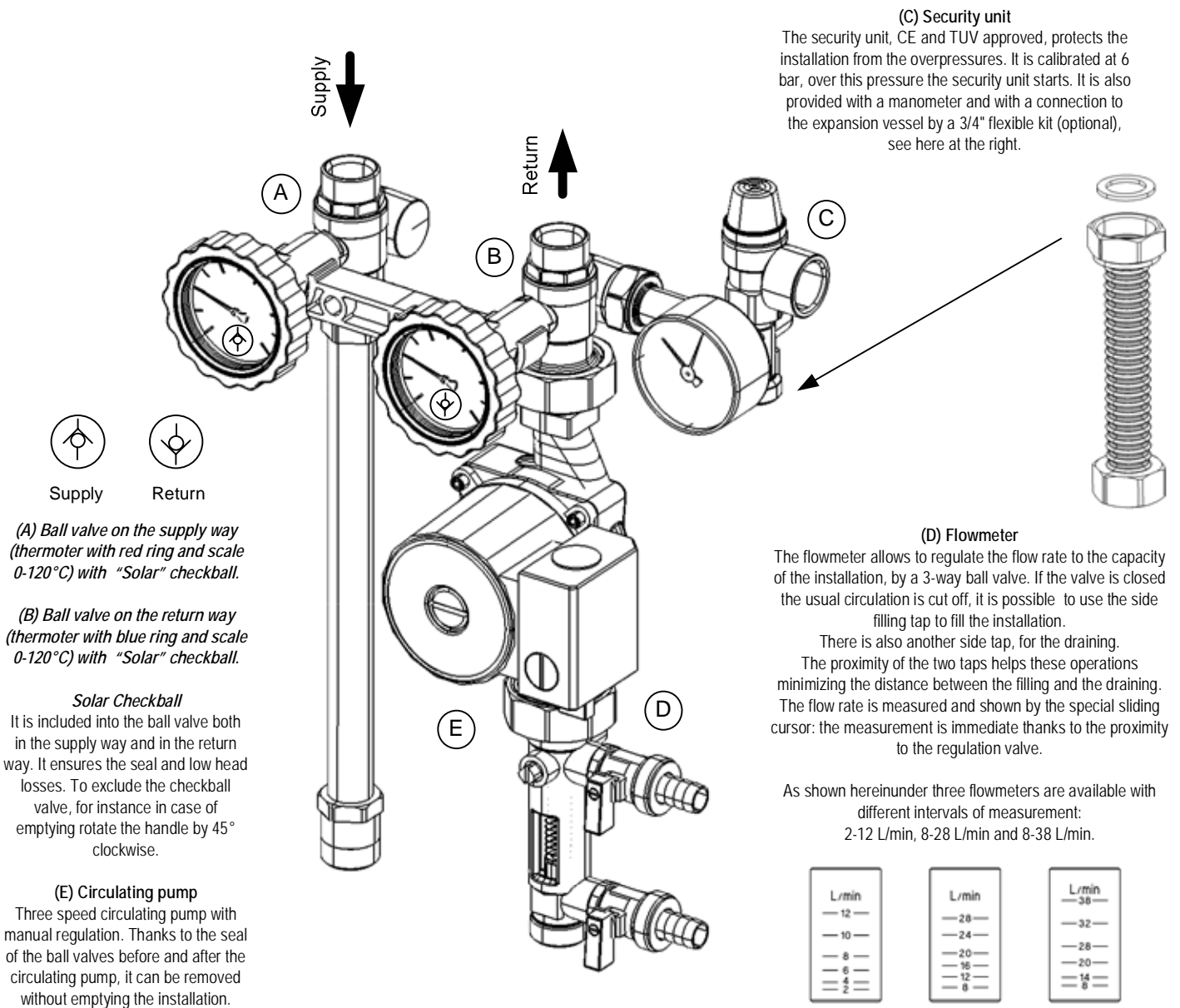
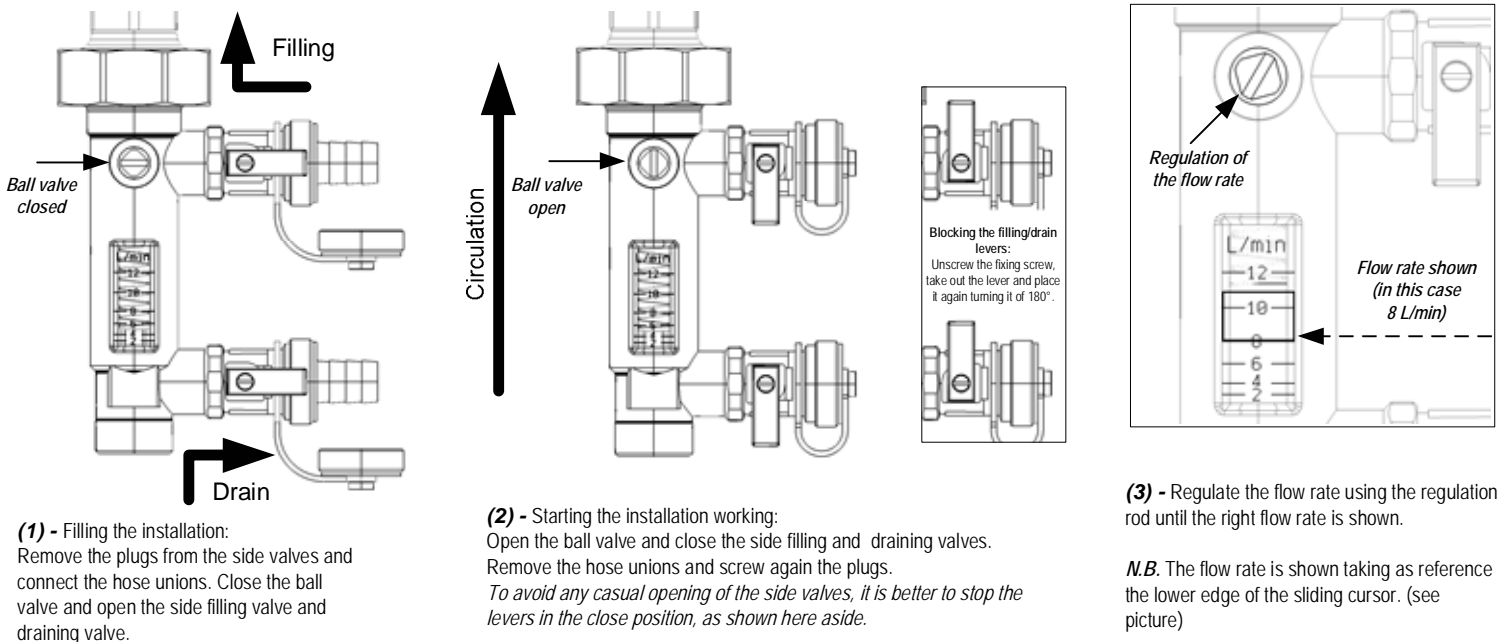


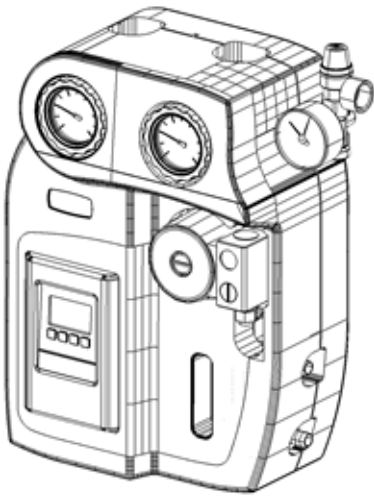
Pumping station 2-way "Solar20"



Directions for the use of the flowmeter to fill the installation:



Pumping station 2-way "Solar30"

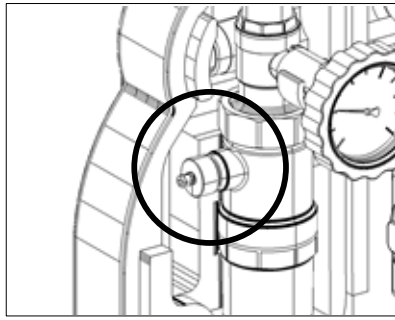


Epp insulation box

Measurements 308x434x169.

It includes a controller holder insert suitable for the course of the power supply cable and of the temperature sensor cables. Side opening on the back part of the insulation box for the security unit. Inside daps for the housing of the 22 mm pipe.

A special window allows to read to adjust the flow without taking off the cover. Back plate to fasten the unit to the wall or to the cylinder.



Model with the vent air

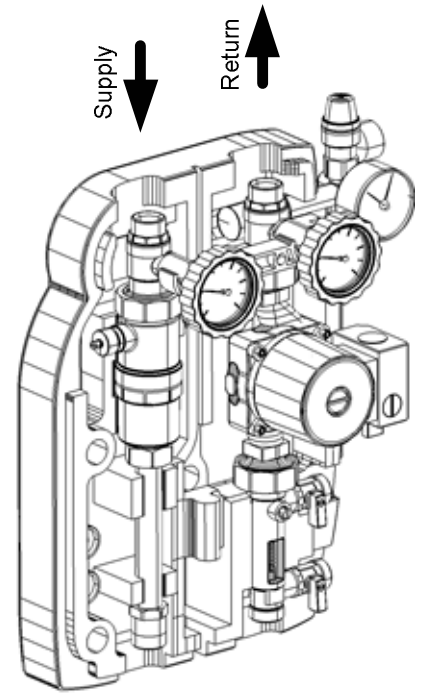
The vent air is a device that divides continually the air that can be in circulation together with the fluid.

The air goes to the upper part of the vent air and it can be eliminated through the special drain while the installation is working. Unscrew of 360° the knurled metal ring lock.

This operation has to be done at intervals.

TAKE CARE!

To avoid any leakage of the fluid, taking into consideration the very high working temperature, we recommend to fasten a pipe to the end of the drain.

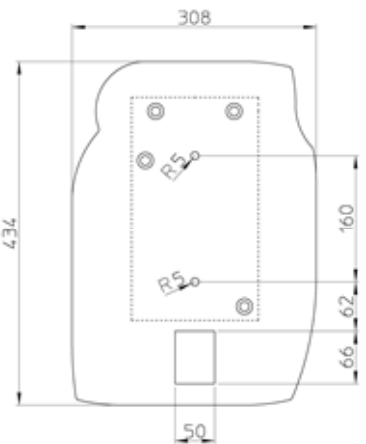
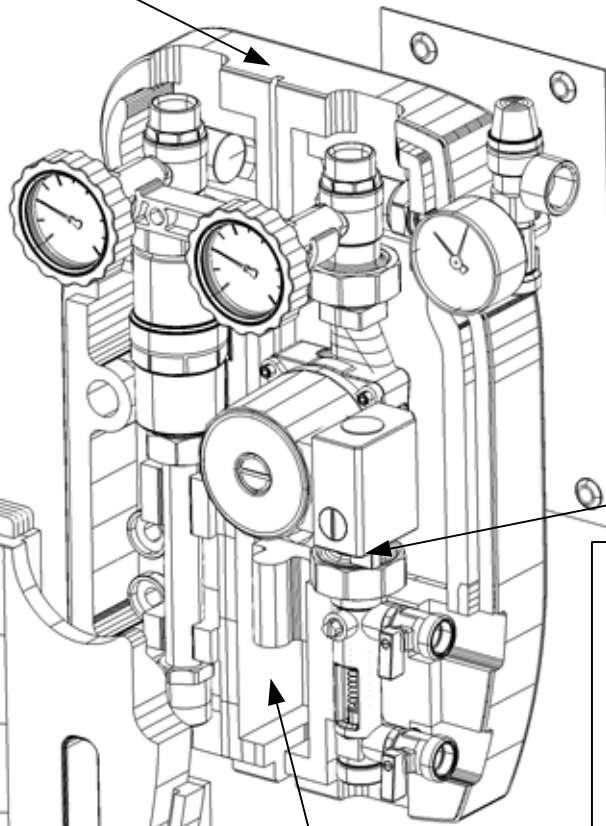
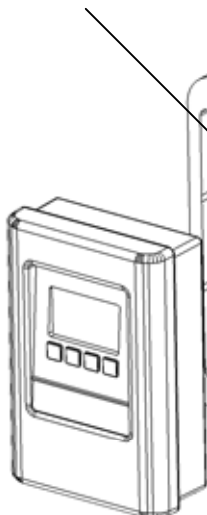


TAKE CARE: as regards the installation and the working of the controller, please look to the here enclosed manual.

Empty way for the solar collector sensor

Back plate to fasten the unit to the wall or to the cylinder.

Housing seat of of the controller.
The back and the side are provided with ways that allow the course of the cables to the central opening for the exit of the wiring.



Circulating pump with Molex connector

Exit room of the wiring
In this area, thermally insulated from the unit, the wiring is collected and shunted. The controller power supply cable, the circul.pump cable with molex connector and the tempearture sensor cables. The cables can come out through the lower side or through the back of the insulation box, thanks to the special opening.

Exit of the controller's wiring (sensors, power supply, circul. pump).

Circulating pump cable
In this point of the the controller holder there is a seat for the course of the cable going from the controller to the circul.pump. Using this way the cable is thermally insulated and it allows anyway the opening of the cover of the insulation box.

Mounting position

To make easy the installation, it is possible to place temporarily the controller holder in a side position. This allows to approach to the filling/draining valves and to the flowmeter, without taking in the hands the controller. To do that you must use the 22 mm dap joint placed into the lower part of the controller holder to hook the supply way copper pipe to the controller holder. When the installation operations are finished, you can put again the controller holder into its proper place.

